

## U-Handles

### Tube Aluminum, Handle Legs Zinc Die Casting, with Electrical Switching Function

#### SPECIFICATION

##### Types

- Type **T0**: Without button
- Type **T1**: With 1 button
- Type **T2**: With 2 buttons

##### Identification no.

- No. **1**: Without emergency stop
- No. **2**: With emergency stop

##### Door opening

- Version **L**: Left
- Version **R**: Right

##### Handle tube

Aluminum, wall thickness 1.5 mm

- Powder coated
- Black, RAL 9005, textured finish **SW**
- Anodized, natural color **EL**

##### Handle legs

Zinc die casting

Powder coated

Black, RAL 9005, textured finish

##### Cover for identification no. 1

(instead of emergency stop)

Plastic, light gray

##### Operating temperature -25 °C to +55 °C



#### INFORMATION

Tubular handles GN 332 are available with various options for emergency stops and buttons. They can be used for activating individual functions of a machine control, such as unlocking the safety lock of a housing door right on the handle.

The possible switching operations depend on the options and are described below. For types T1 and T2, one set of caps (consisting of the colors red, green, and blue) is supplied for each button.

The red or green LED lights up regardless of whether the button is pressed and can be used to indicate the status of a control, for example.

\* Complete with

**SW** **EL**

#### GN 332-T0-2

| Description        | Length l ±0.25 | d   | b1 | b2 | b3 | b4 | h1 | h2 | t min. | ⚖   |
|--------------------|----------------|-----|----|----|----|----|----|----|--------|-----|
| GN 332-200-*T0-2-L | 200            | M 8 | 27 | 17 | 51 | 68 | 51 | 68 | 15     | 573 |
| GN 332-200-*T0-2-R | 200            | M 8 | 27 | 17 | 51 | 68 | 51 | 68 | 15     | 573 |
| GN 332-300-*T0-2-L | 300            | M 8 | 27 | 17 | 51 | 68 | 51 | 68 | 15     | 760 |
| GN 332-300-*T0-2-R | 300            | M 8 | 27 | 17 | 51 | 68 | 51 | 68 | 15     | 760 |

#### GN 332-T1-1

| Description        | Length l ±0.25 | d   | b1 | b2 | b3 | b4 | h1 | h2 | t min. | ⚖   |
|--------------------|----------------|-----|----|----|----|----|----|----|--------|-----|
| GN 332-200-*T1-1-L | 200            | M 8 | 27 | 17 | 51 | 68 | 51 | 68 | 15     | 561 |
| GN 332-200-*T1-1-R | 200            | M 8 | 27 | 17 | 51 | 68 | 51 | 68 | 15     | 561 |
| GN 332-300-*T1-1-L | 300            | M 8 | 27 | 17 | 51 | 68 | 51 | 68 | 15     | 749 |
| GN 332-300-*T1-1-R | 300            | M 8 | 27 | 17 | 51 | 68 | 51 | 68 | 15     | 749 |

#### GN 332-T1-2

| Description        | Length l ±0.25 | d   | b1 | b2 | b3 | b4 | h1 | h2 | t min. | ⚖   |
|--------------------|----------------|-----|----|----|----|----|----|----|--------|-----|
| GN 332-200-*T1-2-L | 200            | M 8 | 27 | 17 | 51 | 68 | 51 | 68 | 15     | 595 |
| GN 332-200-*T1-2-R | 200            | M 8 | 27 | 17 | 51 | 68 | 51 | 68 | 15     | 595 |
| GN 332-300-*T1-2-L | 300            | M 8 | 27 | 17 | 51 | 68 | 51 | 68 | 15     | 793 |
| GN 332-300-*T1-2-R | 300            | M 8 | 27 | 17 | 51 | 68 | 51 | 68 | 15     | 793 |

#### ACCESSORY

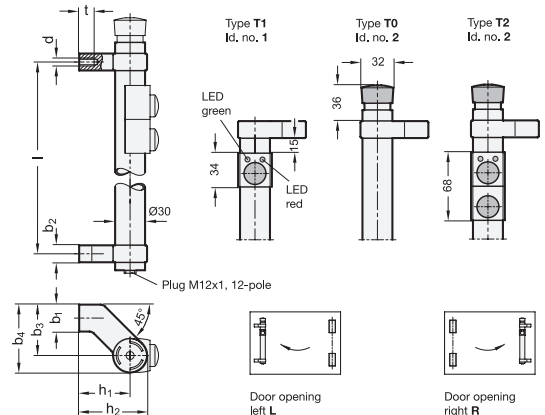
- GN 330 Cables with Connector Coupling (12-pole, 5 or 10 meters long) (see page 1448)

#### TECHNICAL INFORMATION

- Characteristics of the Standard Executions (see page )

- Load Rating Information (see page A35)

- IP Protection Classes (see page A23)



#### GN 332-T2-1

| Description        | Length l ±0.25 | d   | b1 | b2 | b3 | b4 | h1 | h2 | t min. | ⚖   |
|--------------------|----------------|-----|----|----|----|----|----|----|--------|-----|
| GN 332-200-*T2-1-L | 200            | M 8 | 27 | 17 | 51 | 68 | 51 | 68 | 15     | 580 |
| GN 332-200-*T2-1-R | 200            | M 8 | 27 | 17 | 51 | 68 | 51 | 68 | 15     | 580 |
| GN 332-300-*T2-1-L | 300            | M 8 | 27 | 17 | 51 | 68 | 51 | 68 | 15     | 764 |
| GN 332-300-*T2-1-R | 300            | M 8 | 27 | 17 | 51 | 68 | 51 | 68 | 15     | 764 |

#### GN 332-T2-2

| Description        | Length l ±0.25 | d   | b1 | b2 | b3 | b4 | h1 | h2 | t min. | ⚖   |
|--------------------|----------------|-----|----|----|----|----|----|----|--------|-----|
| GN 332-200-*T2-2-L | 200            | M 8 | 27 | 17 | 51 | 68 | 51 | 68 | 15     | 590 |
| GN 332-200-*T2-2-R | 200            | M 8 | 27 | 17 | 51 | 68 | 51 | 68 | 15     | 590 |
| GN 332-300-*T2-2-L | 300            | M 8 | 27 | 17 | 51 | 68 | 51 | 68 | 15     | 790 |
| GN 332-300-*T2-2-R | 300            | M 8 | 27 | 17 | 51 | 68 | 51 | 68 | 15     | 790 |

Weight SW

Weight SW

| Characteristics of the standard executions GN 332                             |   |  |
|---|---|--|
| The tubular handles have the CE marking, low voltage guideline 2014 / 35 / EU |   |  |
| <b>Emergency stop</b>   | 2 channel, normally closed contact  |  |
| <b>1st button with 2 LED</b>  | Changeover contact  |  |
|   | LED, red and green  |  |
| <b>2nd button</b>   | Normally open contact   |  |
| <b>Contact termination, Pin configuration</b>                                 | Plug M12x1, 12-pole   |  |
| <b>Switching voltage / Switching current</b>                                  | max. 24 V DC / max. 0,5 A   |  |
| <b>Operating voltage (LEDs)</b>   | 24 V DC ±15% / 10 mA  |  |
| <b>Protection class</b>   | Identification no. 1: IP 67 (in screwed condition)<br>Identification no. 2: IP 54 |  |
| <b>Button color</b>   | For each button a set of caps is included, in this colors: red, green, blue       |  |
| Additional variations as special application                                  |   |  |
| <b>Emergency stop</b>   | 1 channel   |  |
| <b>Number of buttons &gt; 2<br/>Button optional with</b>                      | Normally open contact   |  |
|   | Normally closed contact   |  |
|   | Changeover contact  |  |
| <b>Button with labelling area</b>   |   |  |



U-Handles 4